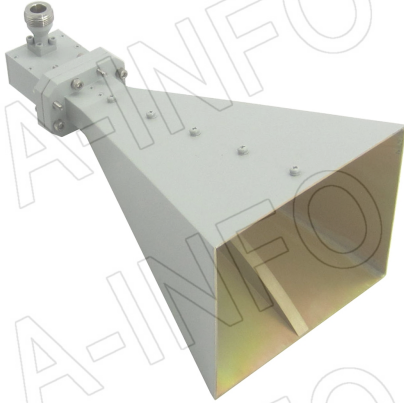


For reference only. See data sheet for the detailed specifications.

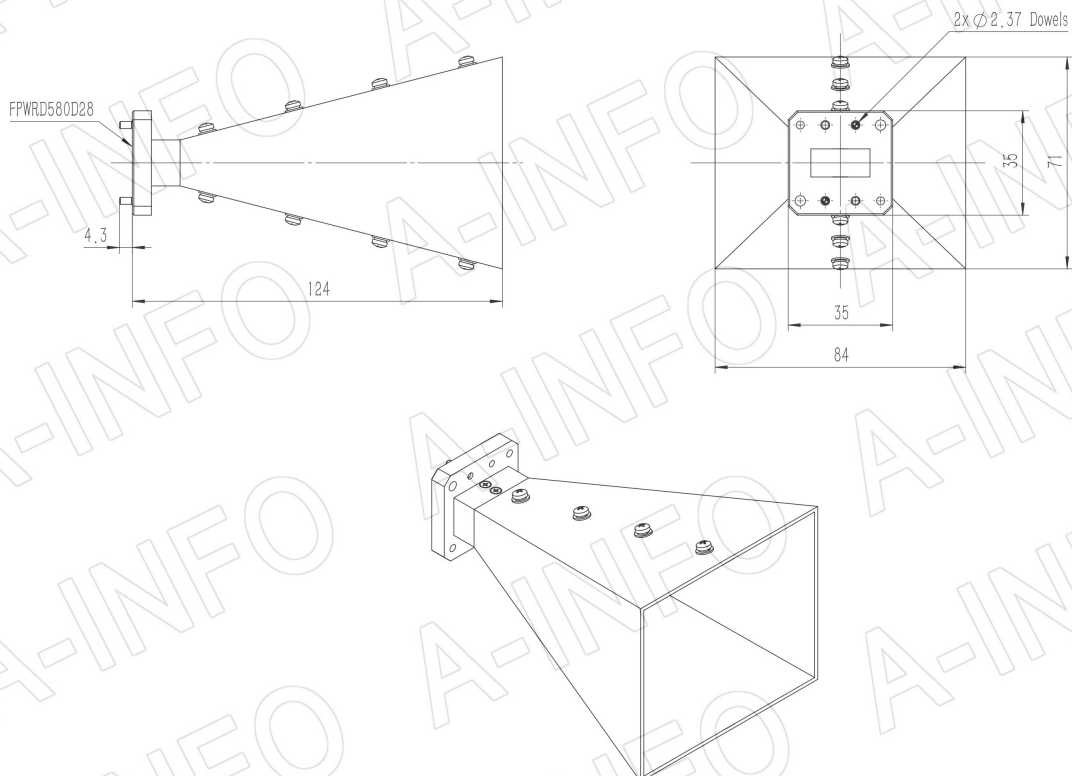
## Technical Specification



Frequency Range(GHz)	5.8 – 16.0
Gain(dBi)	15 Typ.
Polarization	Linear
3dB Beamwidth(deg)	E Plane: 37 - 20
	H Plane: 42 - 20
Cross Pol. Isolation(dB)	30 Typ.
VSWR	1.5:1 Typ.
Output	A Type: FPWRD580D28
	C Type: N-Female or SMA-Female
Power Handling(W CW)	N-F: 150 Max.
	SMA-F: 50 Max.
Material	Al
Finish	Passivation and Chemical Conversion Coating, Gray Paint
Size(mm)	A Type: 84 x 71 x 124
	C Type: 84 x 71 x 166.7
Net Weight(Kg)	A Type: 0.20 Around
	C Type: 0.35 Around

## Outline Drawing (Size: mm)

FPWRD580D28 Output (P/N: LB-58160-15-A)



## AINFO Inc.

China(Beijing): Tel: (+86) 10-6266-7326,  
 China(Chengdu): Tel: (+86) 28-8519-2786,  
 USA : Tel: (+1) 949-639-9688,

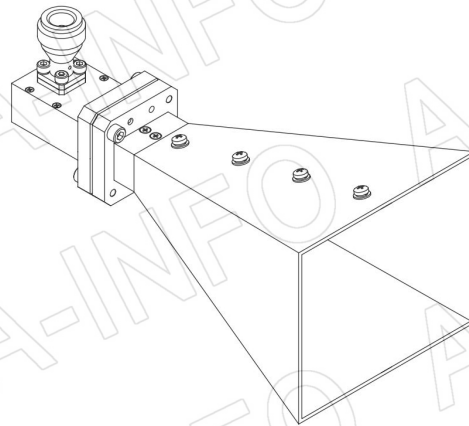
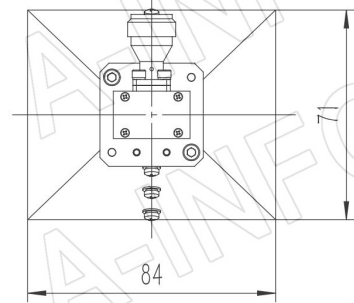
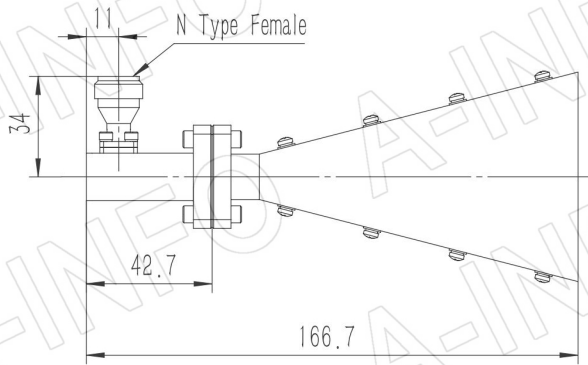
Page 1 of 9

(+86) 10-6266-7327 Fax: (+86) 10-6266-7379  
 (+86) 28-8519-3044 Fax: (+86) 28-8519-3068  
 (+1) 949-639-9608 Fax: (+1) 949-639-9670

Website: [www.ainfoinc.com](http://www.ainfoinc.com)  
 Email: [sales@ainfoinc.com](mailto:sales@ainfoinc.com)

## N-Female Output (P/N: LB-58160-15-C-NF)

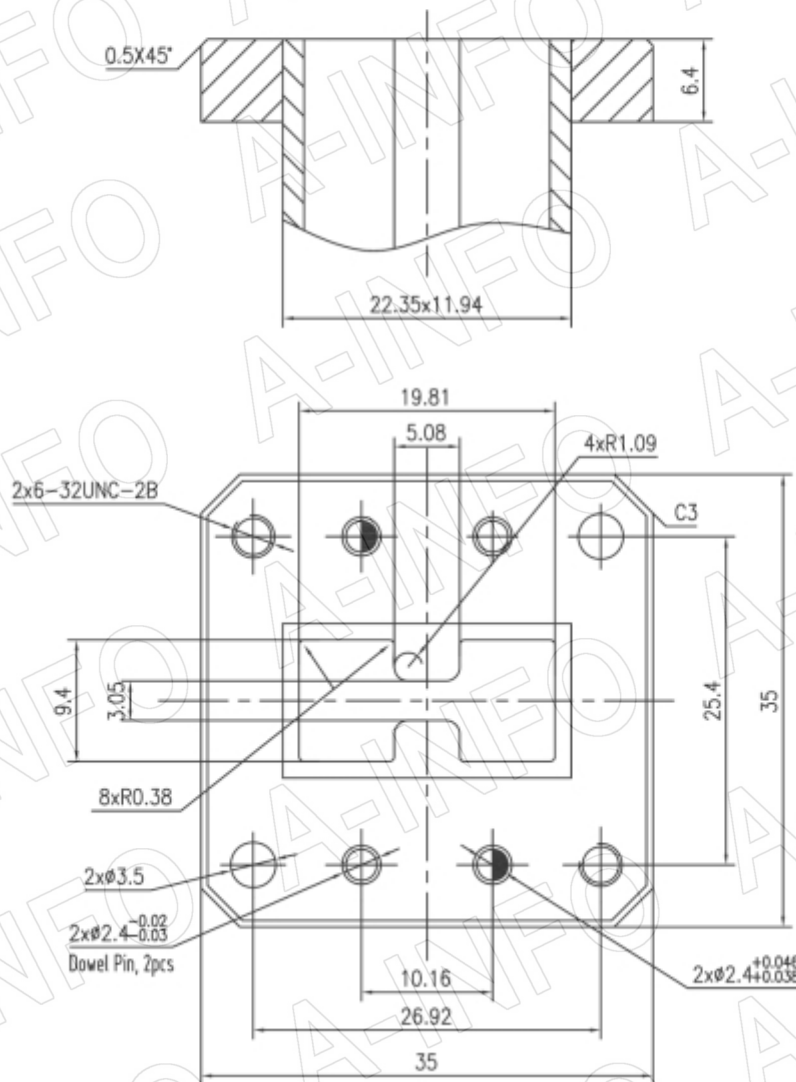
For SMA-Female output outline drawing, please contact A-INFO.



## Flange Drawing (Size: mm)

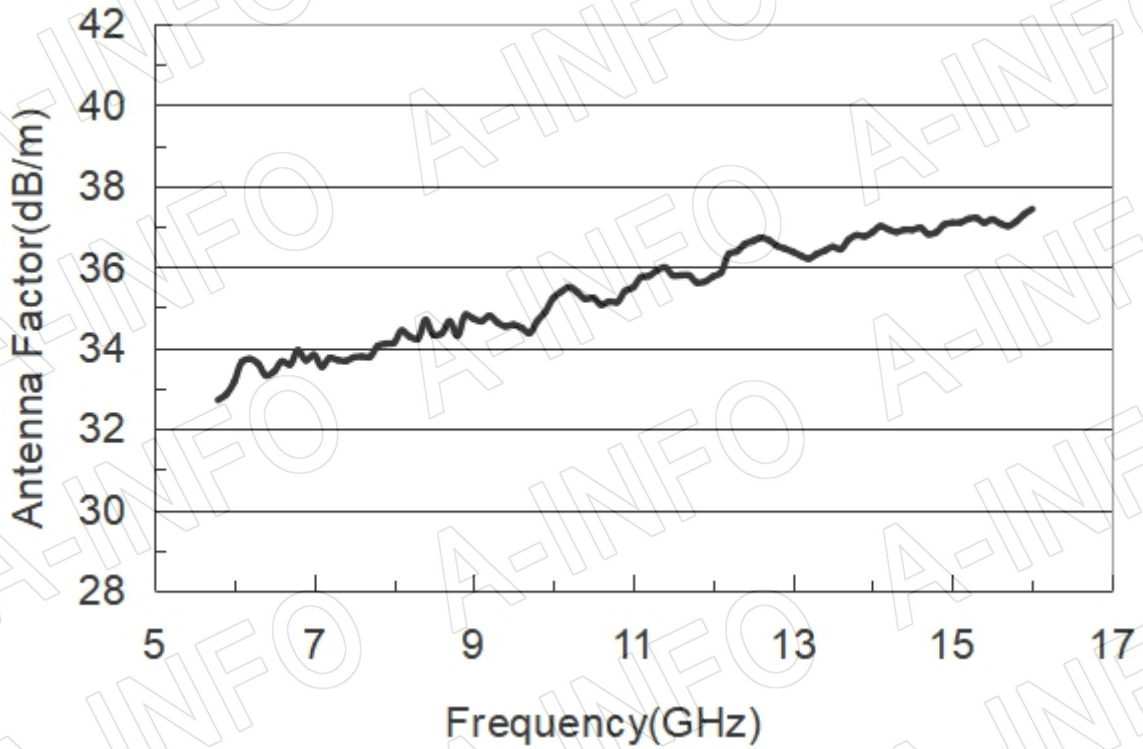
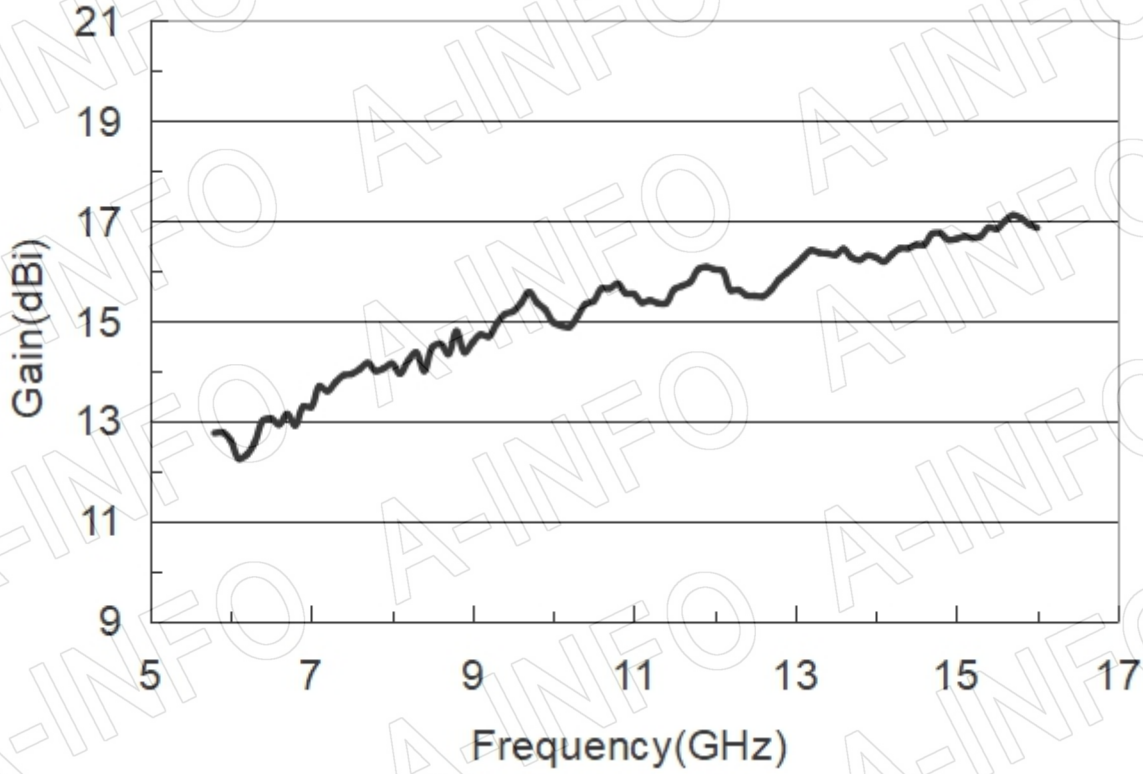
# FPWRD580D28

(With two through mounting holes and two screws holes)

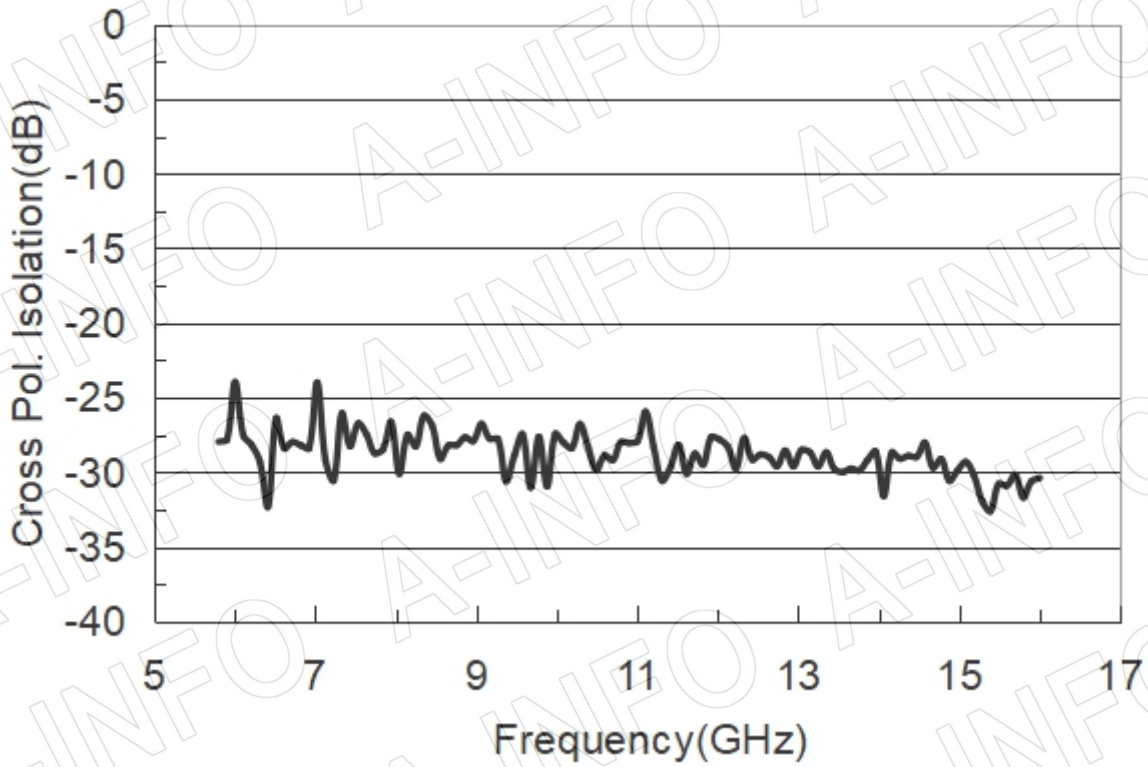


## Test Results

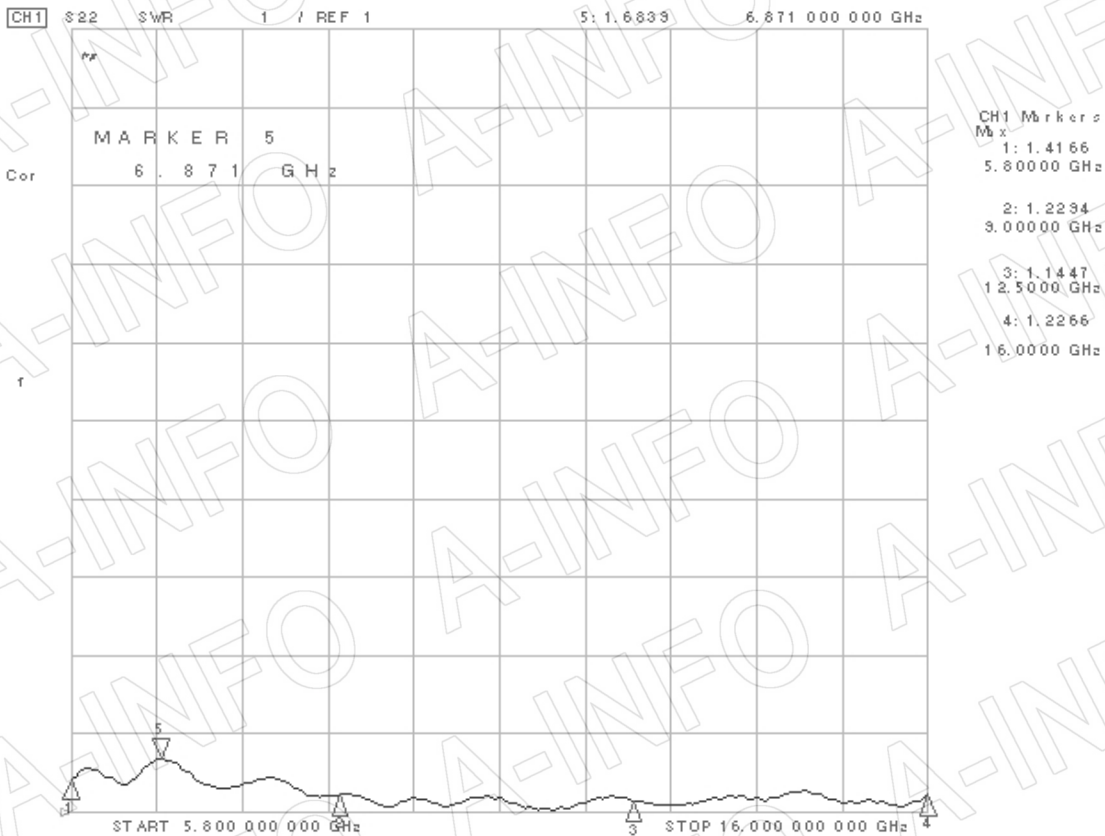
### 1. Gain & Antenna Factor



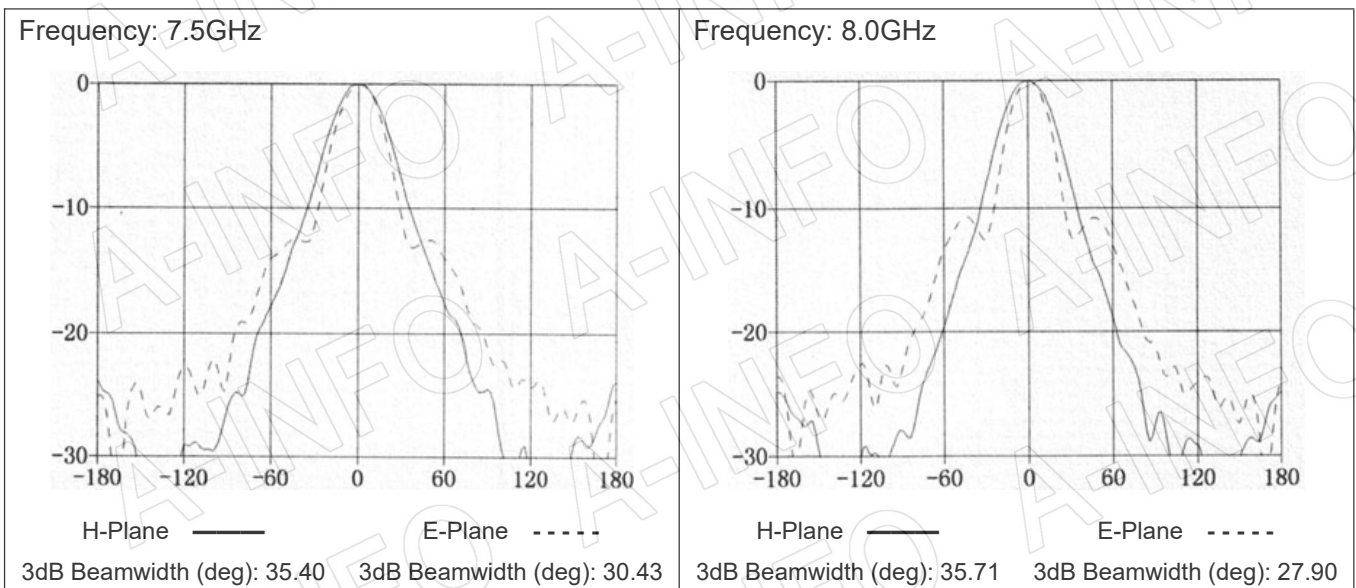
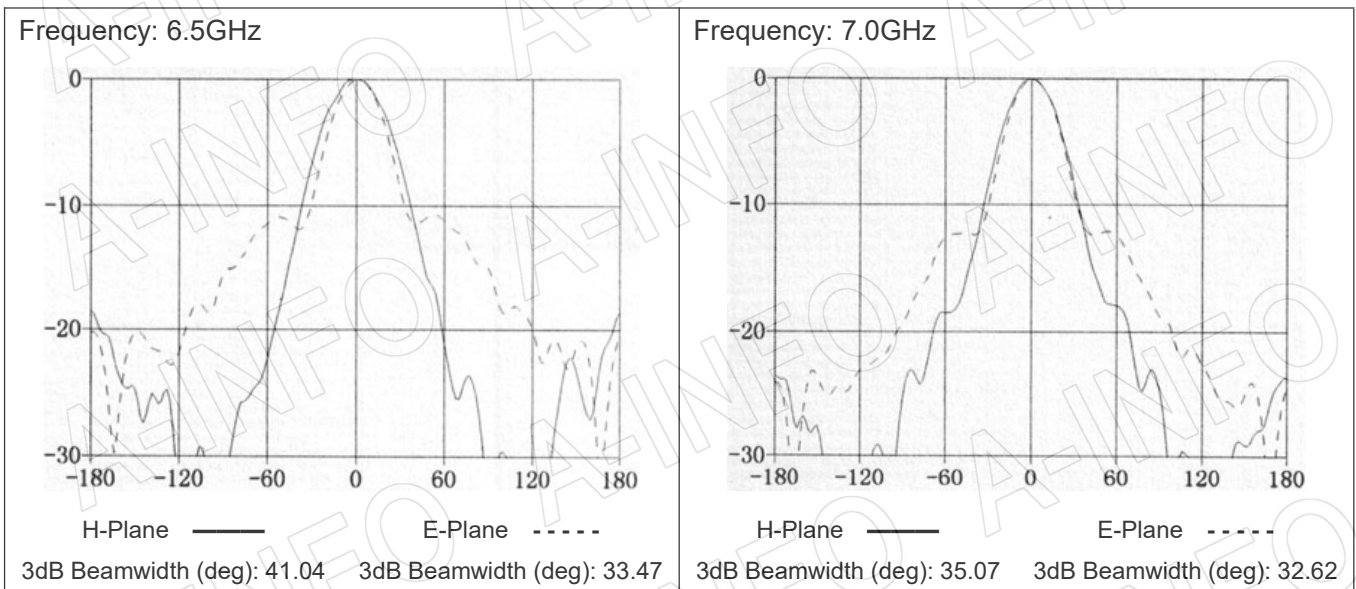
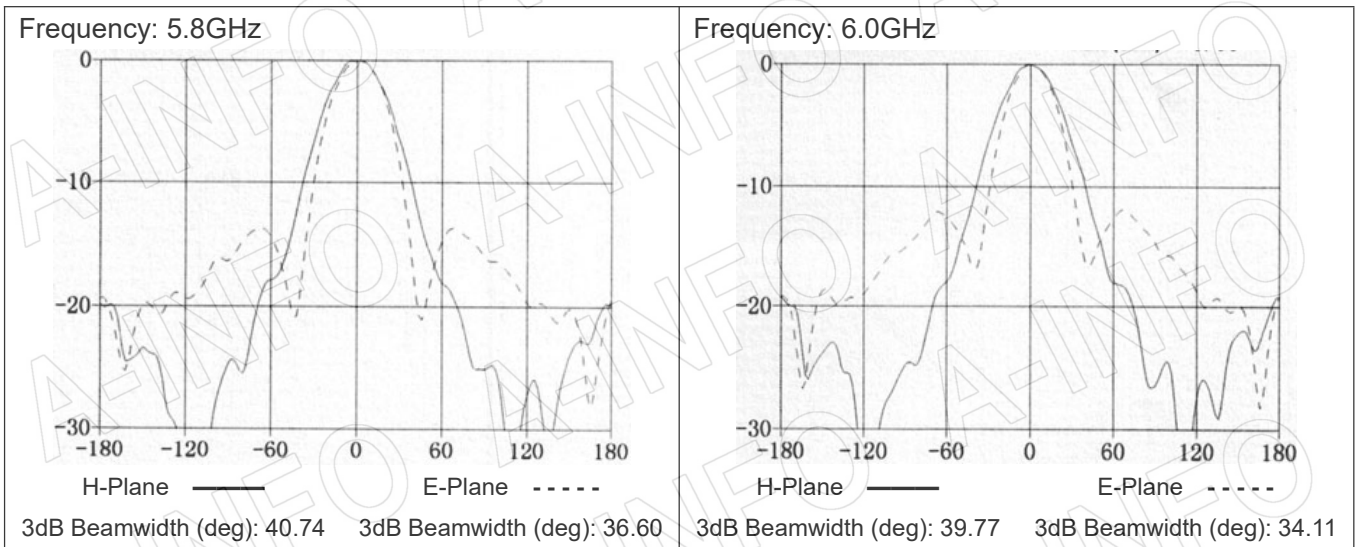
## 2. Cross Polarization Isolation

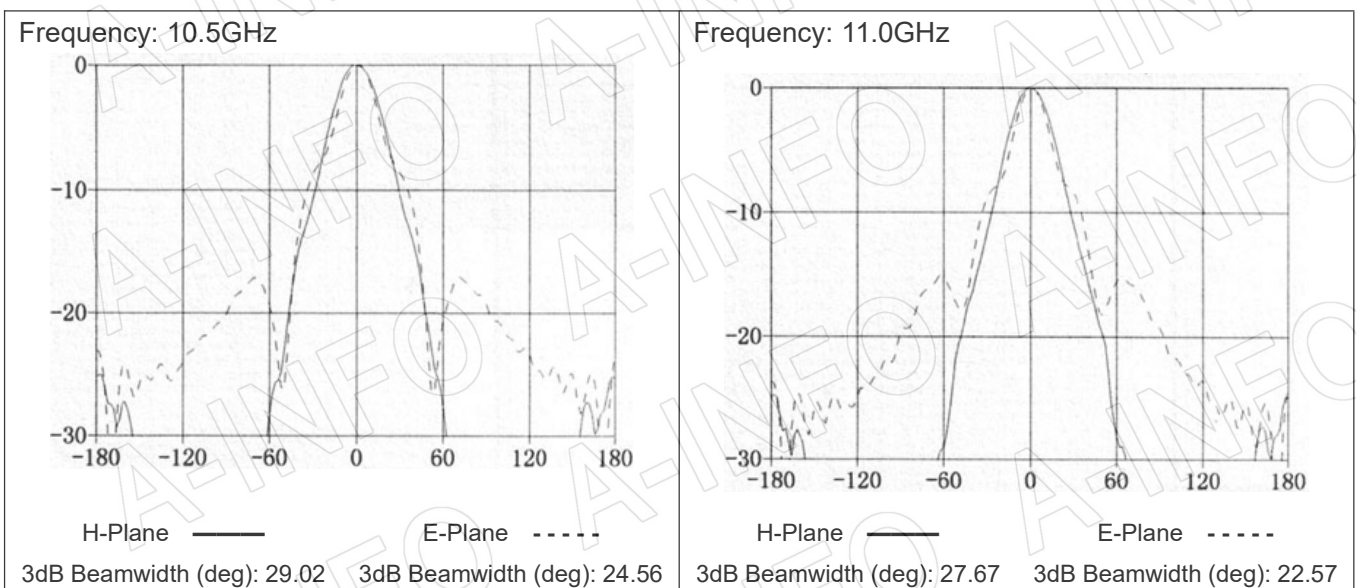
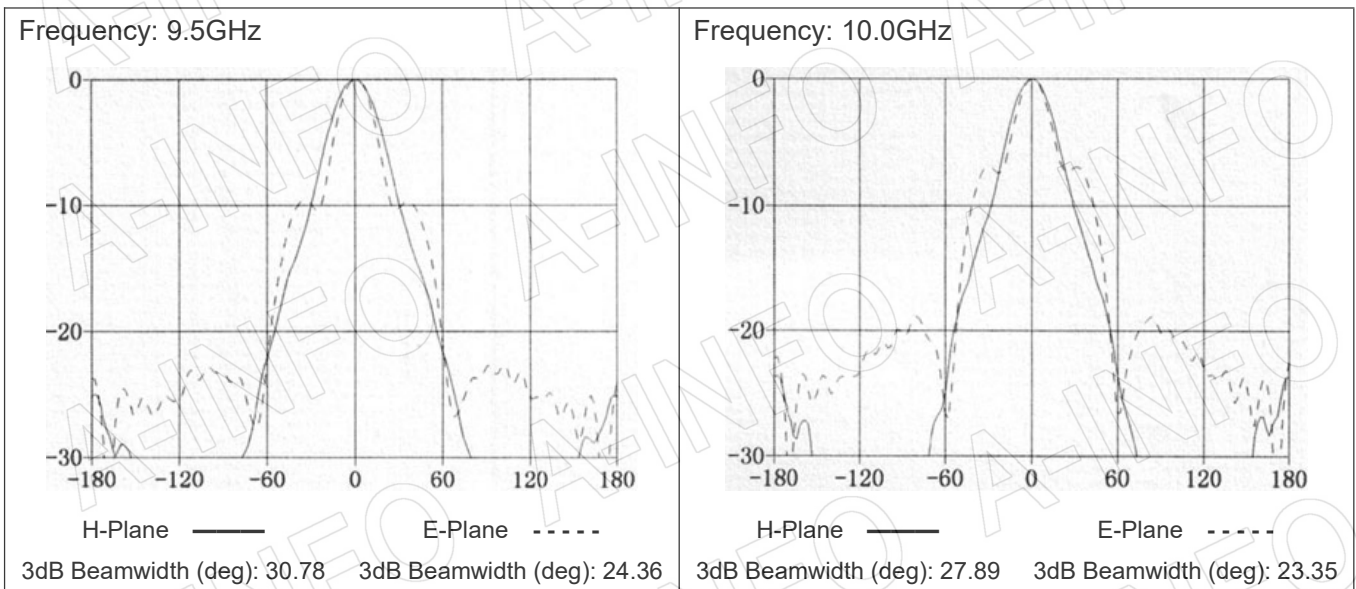
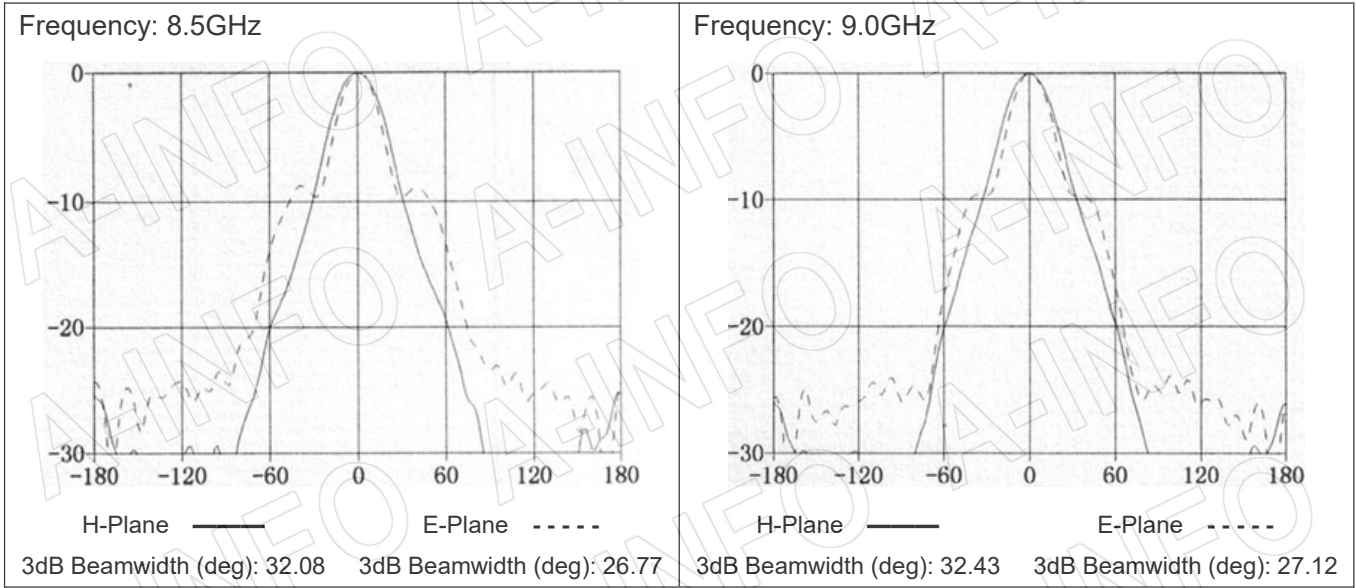


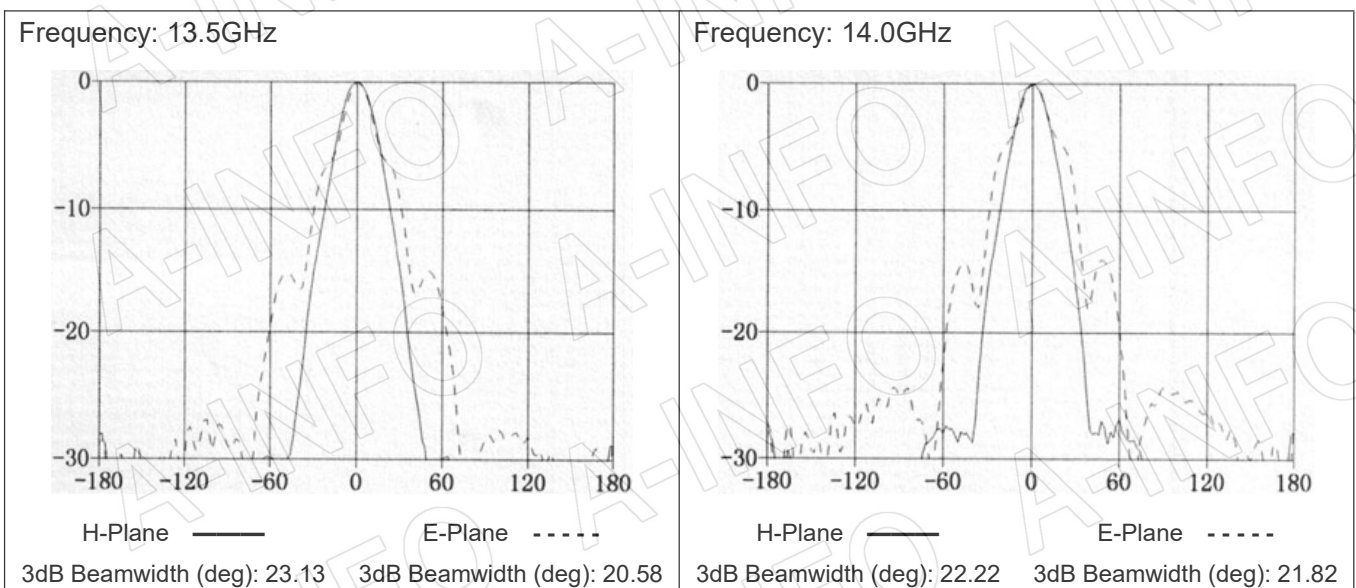
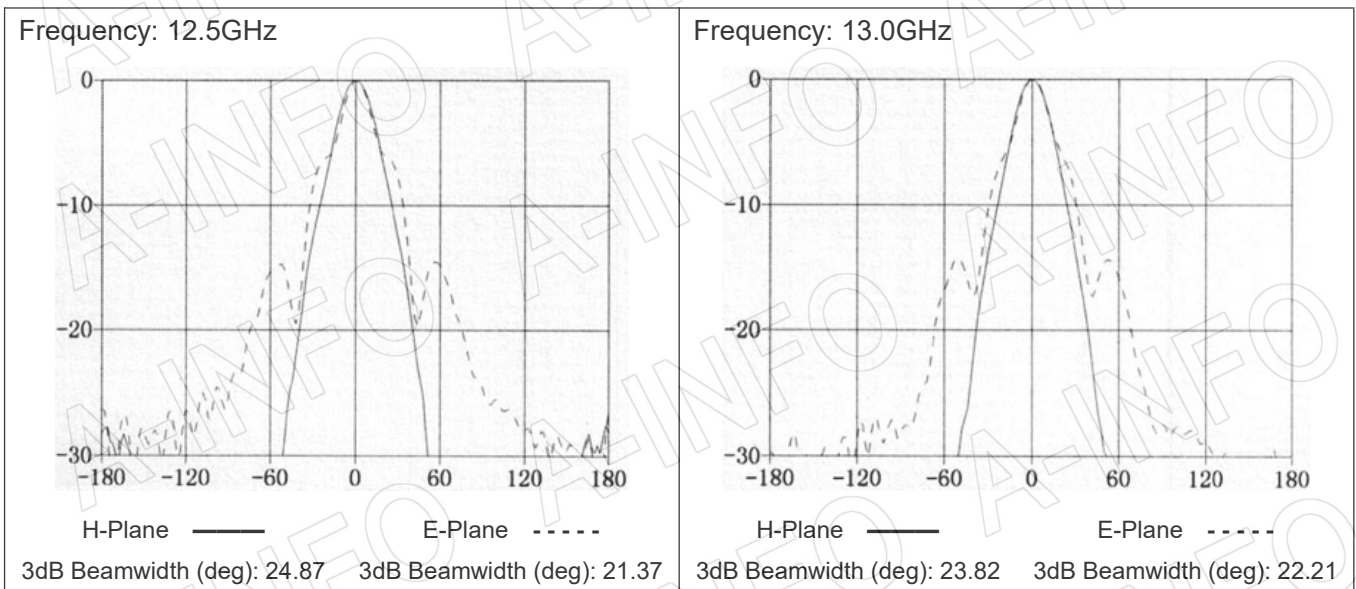
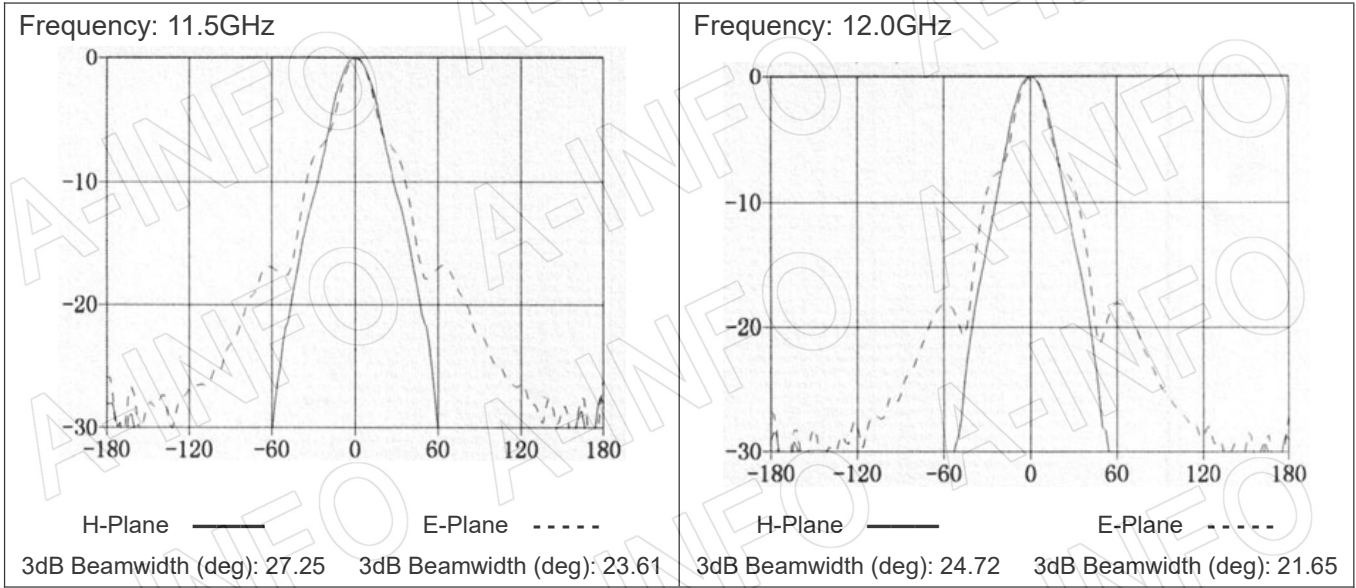
## 3. VSWR



## 4. Pattern

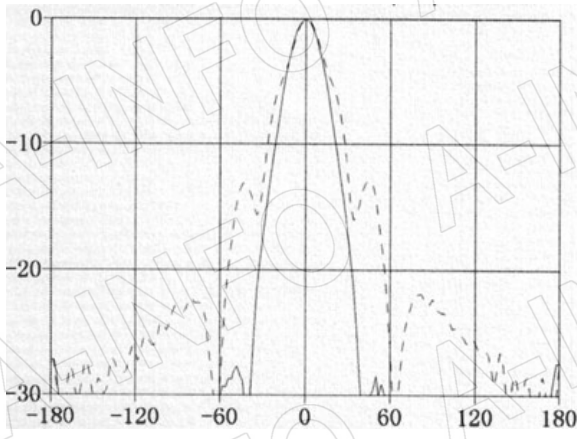






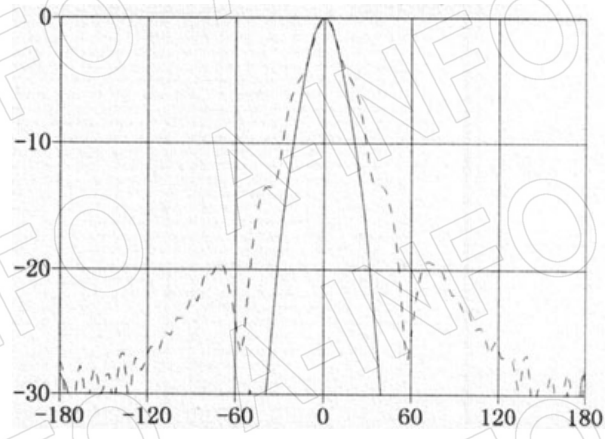


Frequency: 14.5GHz



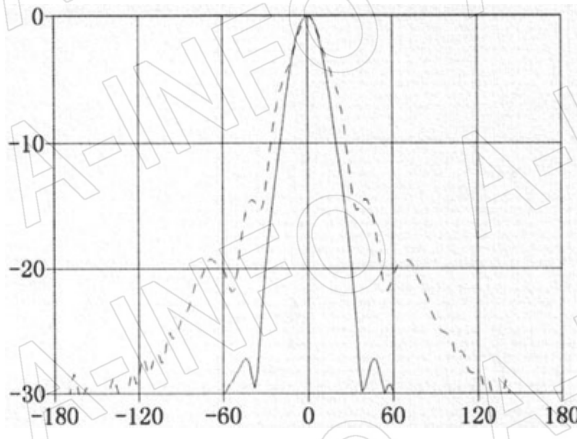
H-Plane ——— E-Plane - - - - -  
3dB Beamwidth (deg): 21.78 3dB Beamwidth (deg): 22.77

Frequency: 15.0GHz



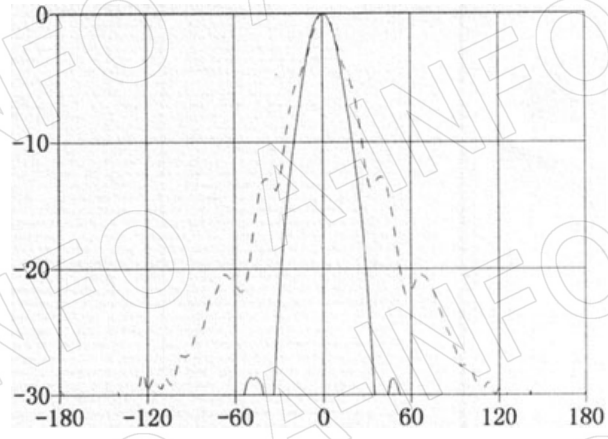
H-Plane ——— E-Plane - - - - -  
3dB Beamwidth (deg): 20.77 3dB Beamwidth (deg): 21.09

Frequency: 15.5GHz



H-Plane ——— E-Plane - - - - -  
3dB Beamwidth (deg): 20.75 3dB Beamwidth (deg): 22.06

Frequency: 16.0GHz



H-Plane ——— E-Plane - - - - -  
3dB Beamwidth (deg): 20.54 3dB Beamwidth (deg): 20.84